

PRODUCT DATA SHEET

Engelsberg Butterfly valves Type SP110 & SP210



Ramén Valves

We know the flow



Engelsberg Butterfly valve type SP110

Engelsberg butterfly valves are designed for tight shut off for liquids and gases. With its eccentric design and soft seat, it offers a robust valve design available in Titanium and any other industrially used exotic alloy for corrosive liquids and gases. The Engelsberg butterfly valves are manufactured in Sweden and are easily automated with gearbox, pneumatic or electrical actuators.

The Engelsberg Butterfly type SP110 is flanged wafer design (DIN PN 10/16 or ANSI #150) and available in sizes from DN50 to DN300.



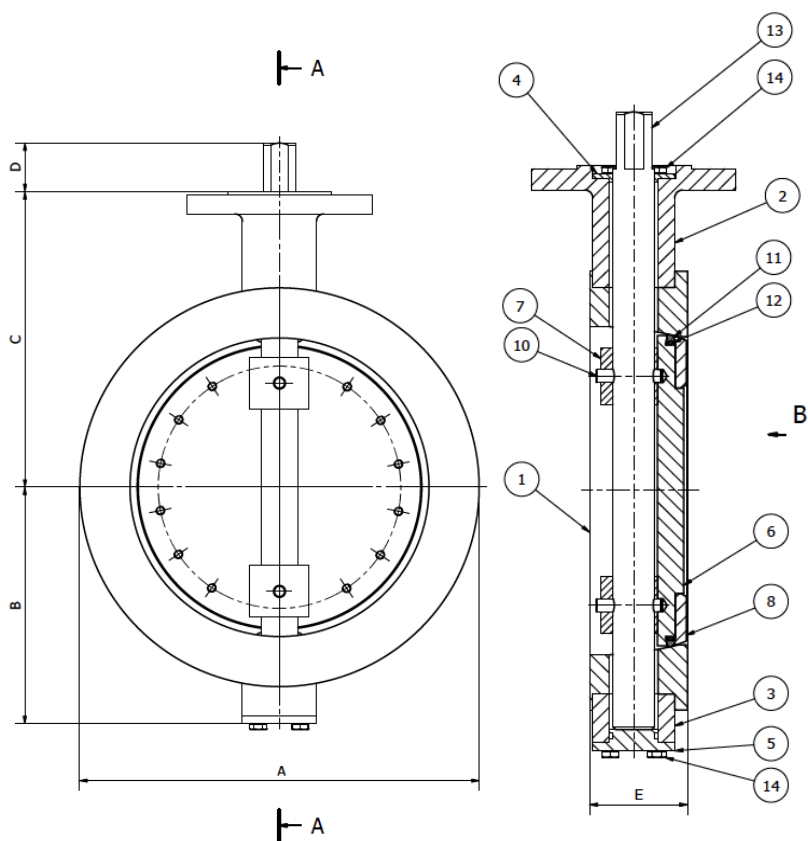
Engelsberg Butterfly valve type SP210

The Engelsberg Butterfly type SP210 is lugged design (DIN PN 10/16 or ANSI #150) and available in sizes from DN100 to DN300.

Technical information		Type SP110	Type SP210
Design		Eccentric	
Connection		Wafer, DIN PN10/16 and ANSI 150	Lugged, DIN PN10/16 and ANSI 150
Nominal sizes		DN50-DN300 (2"-12")	DN100-DN300 (4"-12")
Material	Body and disc Shaft sealings Seat Seat O-ring	Titanium Gr. 2 Graphite PTFE (Carbon/graphite reinforced) FKM	
Nominal pressure		PN 10/16	
Leakage class		Rate A acc. to EN12266-1	
Temperature range		-50°C to 200°C	
Approvals		CE-marked acc. to PED 2014/68/EU, Category I, Module A ⁽¹⁾	
Options	Material body	Hastelloy C- 276 904L (EN 1.4539) 254 SMO (EN 1.4547) Duplex (EN 1.4470) Super Duplex (EN 1.4410)	

⁽¹⁾ Higher on request

Type SP110 - Wafer butterfly valve



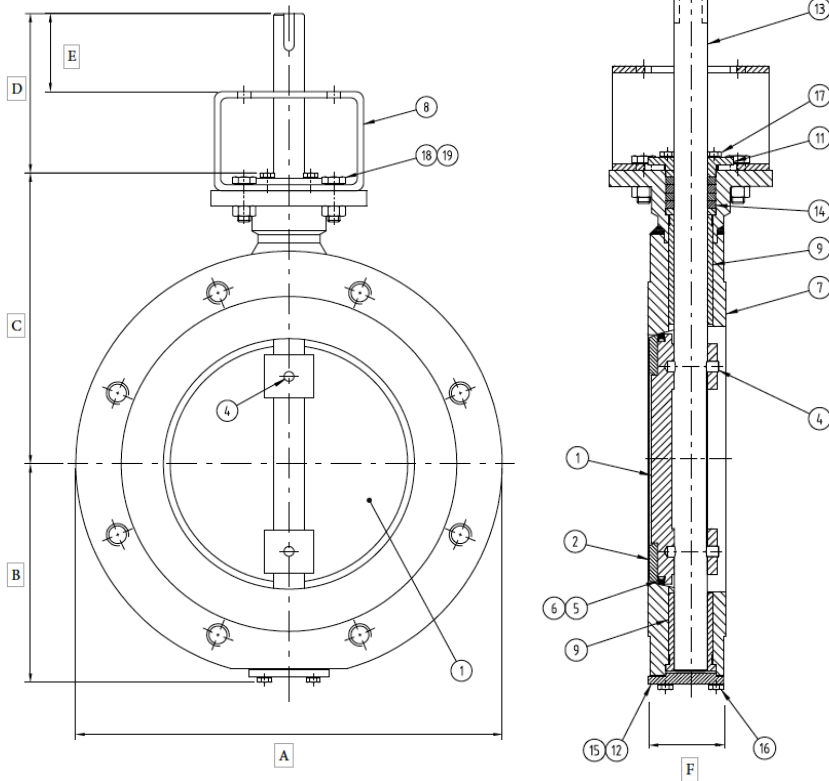
Parts and material of construction			
	No.	Part	Material
1	1	Bar stock	Titanium Gr. 2
2	1	Bar stock	Titanium Gr. 2
3	1	Bar stock	Titanium Gr. 2
4	1	Gland DN80	Titanium Gr. 2
5	1	End cap	Titanium Gr. 2
6	1	Disc	Titanium Gr. 2
7	2	Disc collar	Titanium Gr. 2
8	1	Disc ring	Titanium Gr. 2
9	16	Disc screw	Titanium Gr. 2
10	2	Locking pin	Titanium Gr. 2
11	1	Seat ring	PTFE (Carbon/ graphite reinforced)
12	1	O-ring	FKM
13	1	Bar stock	Titanium Gr. 2
14	8	Hex-Head bolt	Titanium Gr. 2

Dimensions									
Size DN	PN	A [mm]	B [mm]	C [mm]	D [mm]	E [mm]	Kv ⁽¹⁾ [m³/h]	Cv ⁽¹⁾ [gpm]	Weight ⁽²⁾ [kg]
50	16	52	102	43	44	-	120	139	3
80		82	132	46	73	125	360	417	5,5
100		102	158	52	92	125	540	626	8
150		152	215	56	137	175	1300	1508	12
200	10	202	270	60	189	175	2400	2784	18
250		252	320	68	240	225	3950	4582	25

⁽¹⁾ For water: $\Delta P = (Q/Kv)^2$, with ΔP in bar and Q in m³/h. $Cv = Kv \cdot 1,16$

⁽²⁾ Standard material

Type SP210 - Lugged butterfly valve



Parts and material of construction			
No.	Part	Material	
1	Disc	Titanium Gr. 2	
2	Throttle ring	Titanium Gr. 2	
3	Bolt	Titanium Gr. 2	
4	Pin	Titanium Gr. 2	
5	Shaft sealing	PTFE (Carbon/graphite reinforced)	
6	O-ring	FKM	
7	Body	Titanium Gr. 2	
8	Bracket	Titanium Gr. 2	
9	Upper bushing	PTFE (Carbon/graphite reinforced)	
10	Lower bushing	PTFE (Carbon/graphite reinforced)	
11	Gland	Titanium Gr. 2	
12	End cap	Titanium Gr. 2	
13	Stem	Titanium Gr. 2	
14	Packing box	Graphite	
15	Lower gasket	Copper	
16	Bolt	A4	
17	Bolt	A4	
18	Bolt	A4	
19	Nut	A4	

Dimensions									
Size DN	PN	A [mm]	B [mm]	C [mm]	D [mm]	E [mm]	Kv ⁽¹⁾ [m³/h]	Cv ⁽¹⁾ [gpm]	Weight ⁽²⁾ [kg]
100	16	102	220	52	92	125	540	626	8
150		152	285	56	137	175	1300	1508	12
200	10	202	340	60	189	175	2400	2784	18
250		252	405	68	240	225	3950	4582	25
300		302	460	78	289	225	6100	7076	40

⁽¹⁾ For water: $\Delta P = (Q/Kv)^2$, with ΔP in bar and Q in m³/h. $Cv = Kv \cdot 1,16$

⁽²⁾ Standard material (Titanium Gr. 2)

Ordering code type SP110 & SP210

Serie 110 = Wafer design DN50-250

Code example: EB210-1302-200

Serie 210 = Lug design DN100-300

EB210-2002-200-X20

EB	Valve series (3-5)	Body & disc material (6-7)		End connection (8-9)		Size (10-12)		Options (13-14)	
EB	110, 210	13	Titanium Gr. 2 (Standard)	02	Wafer PN 10/16	050	10	With lever (DN50-150)	
		16	254 SMO (EN 1.4547)	51	ANSI 150	080	20	With gearbox (DN80-300)	
		17	904L (EN 1.4539)			100	30*	With actuator	
		19	Duplex (EN 1.4462)			150	40**	Shaft seal PTFE or Viton	
		20	Super Duplex (EN 1.4410)			200	50	Drilled bolt holes (For SP210 lug design only)	
						250			
						300			

*Specify type of actuator

**Specify material



Address: Fredsforstigen 22A, SE-168 67 Bromma, Sweden

Office: +46 8 598 931 00 | www.ramenvaives.com